

SPECIFICATIONS

DIMENSIONS: 19H X 20W X 35 1/2D

1ST STAGE

15 3/8 X 19 3/8 X 1 PRE FILTER

2ND STAGE HOLDS 1

4' BOX

3THRD STAGE HOLDS 1

15 3/8 X 19 3/8 X 1 3/4 PRE FILTER

4TH STAGE HOLDS 1

BLOWER SECTION

5TH STAGE HOLDS 1

15 3/8 X 19 3/8 X 1 POST FILTER

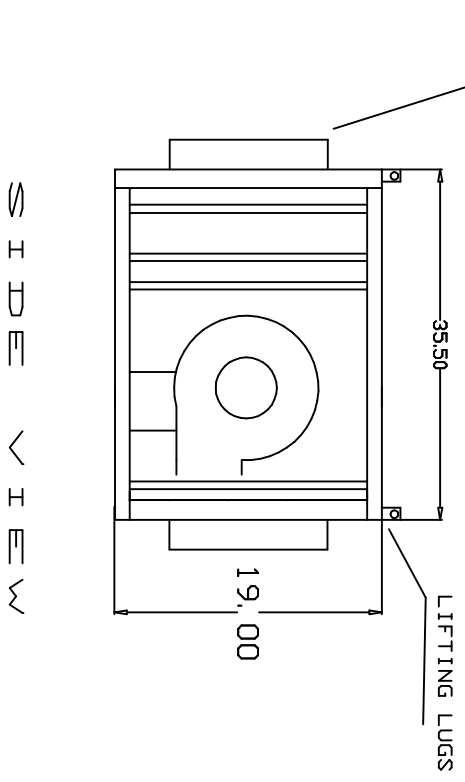
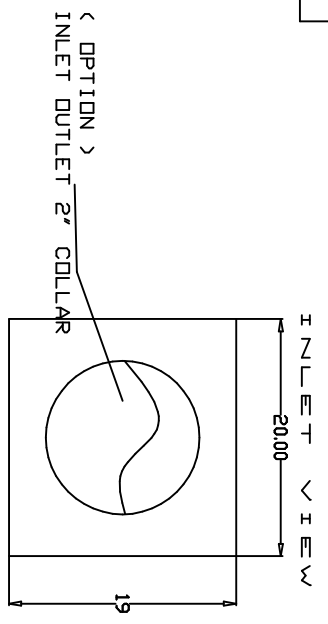
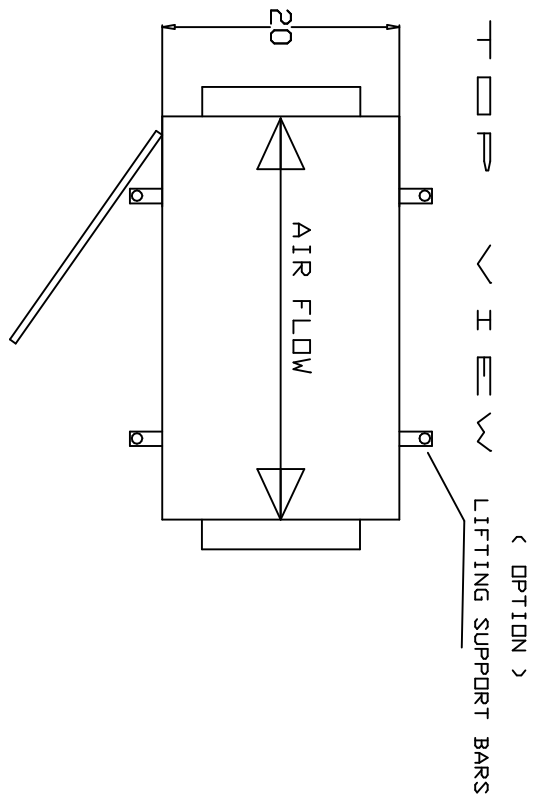
DNE ACCESS DDDR ONE SIDE

RECOMMENDED AIR FLOW 1000 CFM

ALL WELDED CONSTRUCTION

MADE FROM 18 GAGE ALUMINIZED

AIR IN/OUT LET 10" DR 12" RD.



S I D E V I E W

TITLE: **AQC 500**

SCALE:	DWG NO:		
DRAWN: MLF	APPROVED:	DATE:	3/23/06
CHECKED:	CUSTOMER:		

AIR QUALITY
SYSTEMS AND SERVICE
972.922.3530