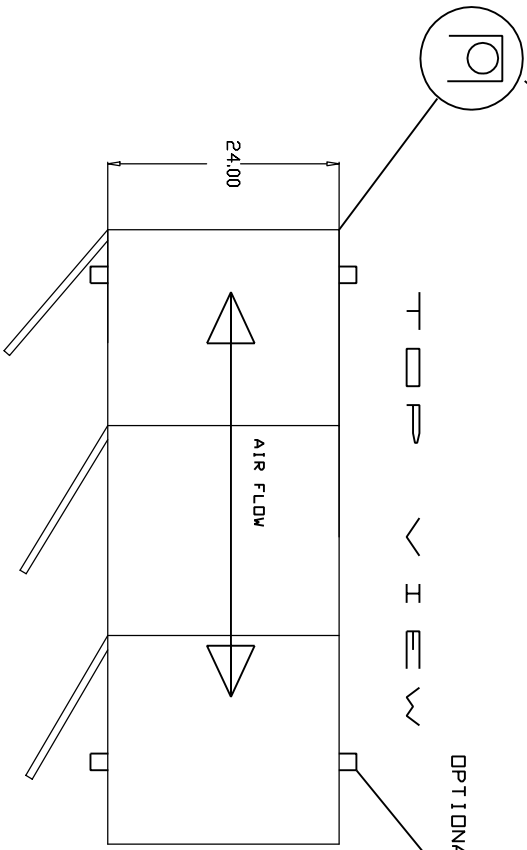


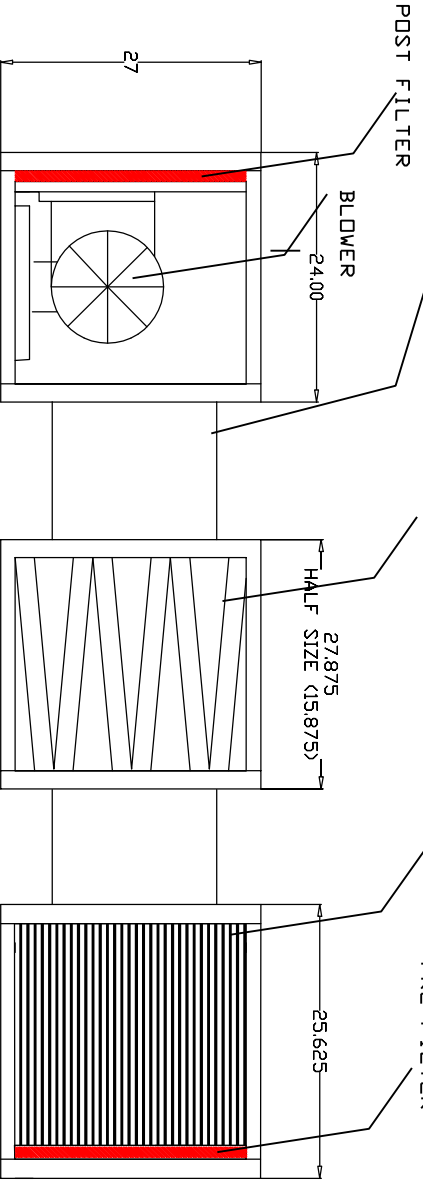
LIFTING LUGS 4 CORNERS TYP



OPTIONAL: LIFTING BARS

TOP VIEW

UNITS TO BE BOLTED TOGETHER  
4- 3/8 BOLTS TYP



SIDE VIEW

**SPECIFICATIONS**

SECTIONS CAN BE PUT TOGETHER IN ANY ORDER

1ST STAGE  
BLOWER SECTION

2ND STAGE

CARBON MEDIA SECTION  
OPTIONAL: HOLDS 8 OR 10 1" TRAYS  
OPTIONAL 2: HOLDS 6 OR 8 2" TRAYS

3THRD STAGE

19" MAIN SECTION/ 1" PRE FILTER

ACCESS DOORS ONE SIDE OR TWO  
AIR FLOW up to 3000 CFM clean

ALL WELDED CONSTRUCTION  
MADE FROM 16 GAGE ALUMINIZED  
POWDER COAT PAINTED FINISH

TITLE: <b>3-Section Modular System</b>			
SCALE:	DWG. NO.		
DRAWN: MLF	APPROVED:	DATE:	3/23/06
CHECKED:	CUSTOMER:		

**AIR QUALITY**  
SYSTEMS AND SERVICE  
972-922-3530